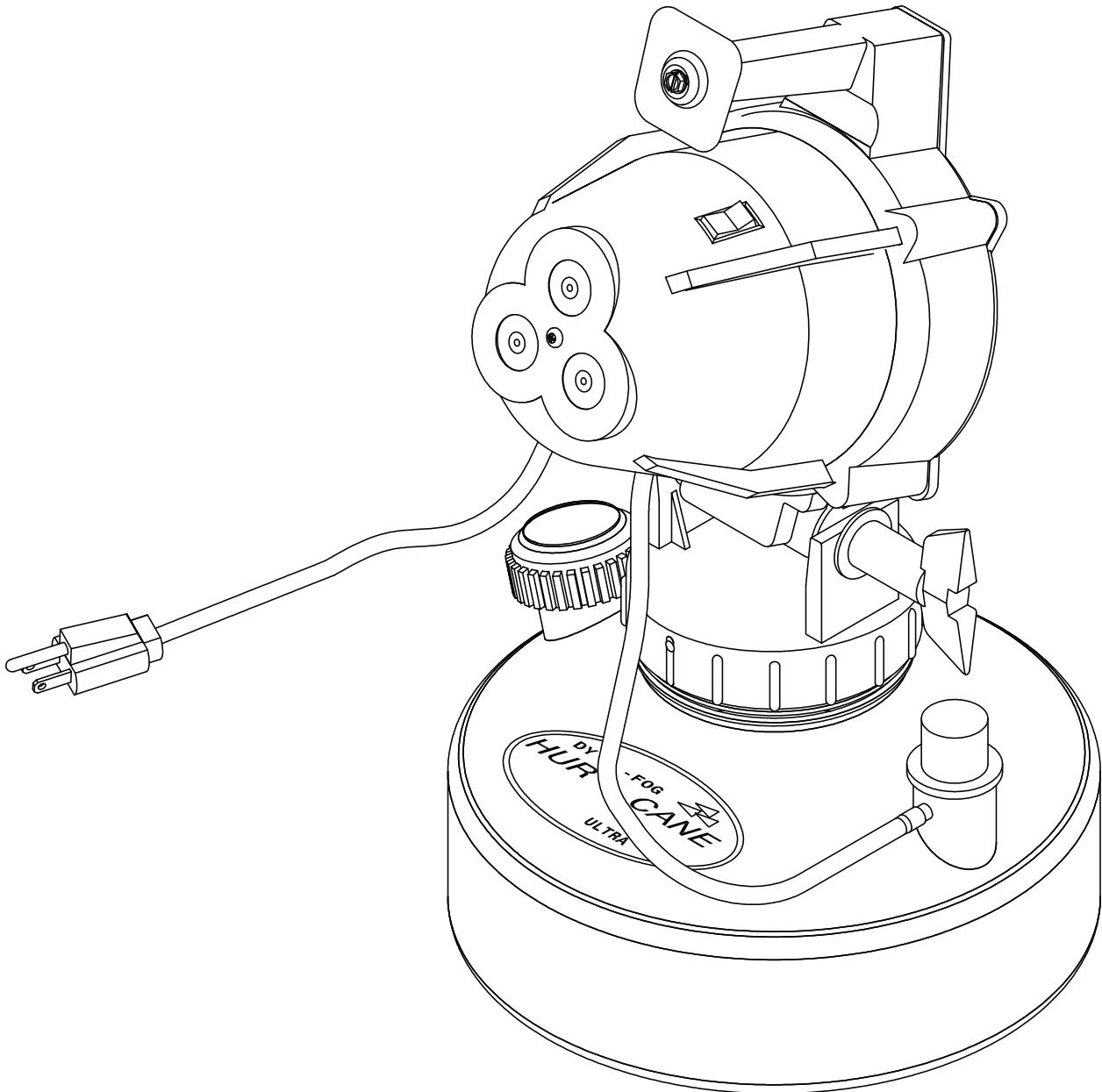


HURRICANE™ ULTRA

ULV/Mist Sprayer

MODEL 2794 & 2796
OPERATION AND MAINTENANCE MANUAL



CURTIS DYNA-FOG® Ltd.

"Innovators of Spraying and Fogging Technology Since 1947"

TABLE OF CONTENTS

Specifications.....	3
Major Components.....	4
Nozzles Direction.....	4
Working Principles.....	5
Safety Precautions.....	6
Maintenance.....	8
Flow Rate Diagram.....	9
Machine Parts Diagram.....	10
Exploded Parts List.....	11
Metering Valve Parts Listing.....	12
Electrical Schematics.....	13
Noise Level Comparison.....	14

SPECIFICATIONS

ELECTRIC BLOWER MOTOR:

MODEL 2794:
 CONTINUOUS DUTY
 110-130 VOLTS AC
 6.85 AMPS
 60/60 Hz.
 20,000 RPM

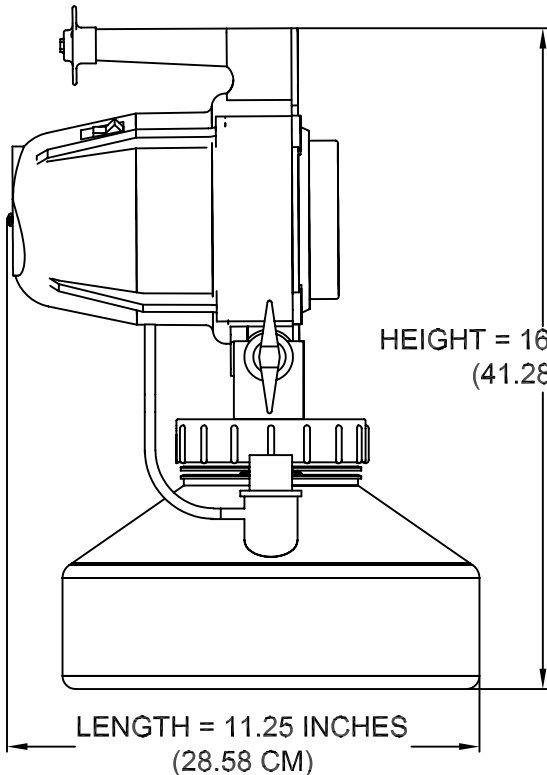
MODEL 2796:
 CONTINUOUS DUTY
 210-250 VOLTS AC
 3.4 AMPS
 50/60 Hz.
 20,000 RPM

WEIGHT:

EMPTY	6.3 lbs.	2.9 kg
FULL	14.3 lbs.	6.5 kg

SHIPPING INFORMATION:

DIMENSIONS	13.5 x 11 x 17 in	34.3 x 27.9 x 43.2 cm
WEIGHT	9.0 lbs.	4.1 kg
VOLUME	1.4 cu. ft.	.04 cu. m.

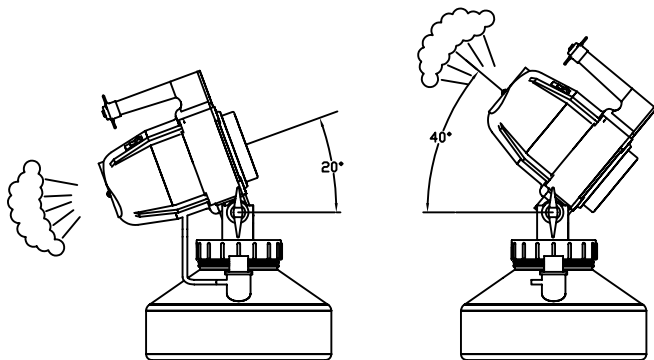
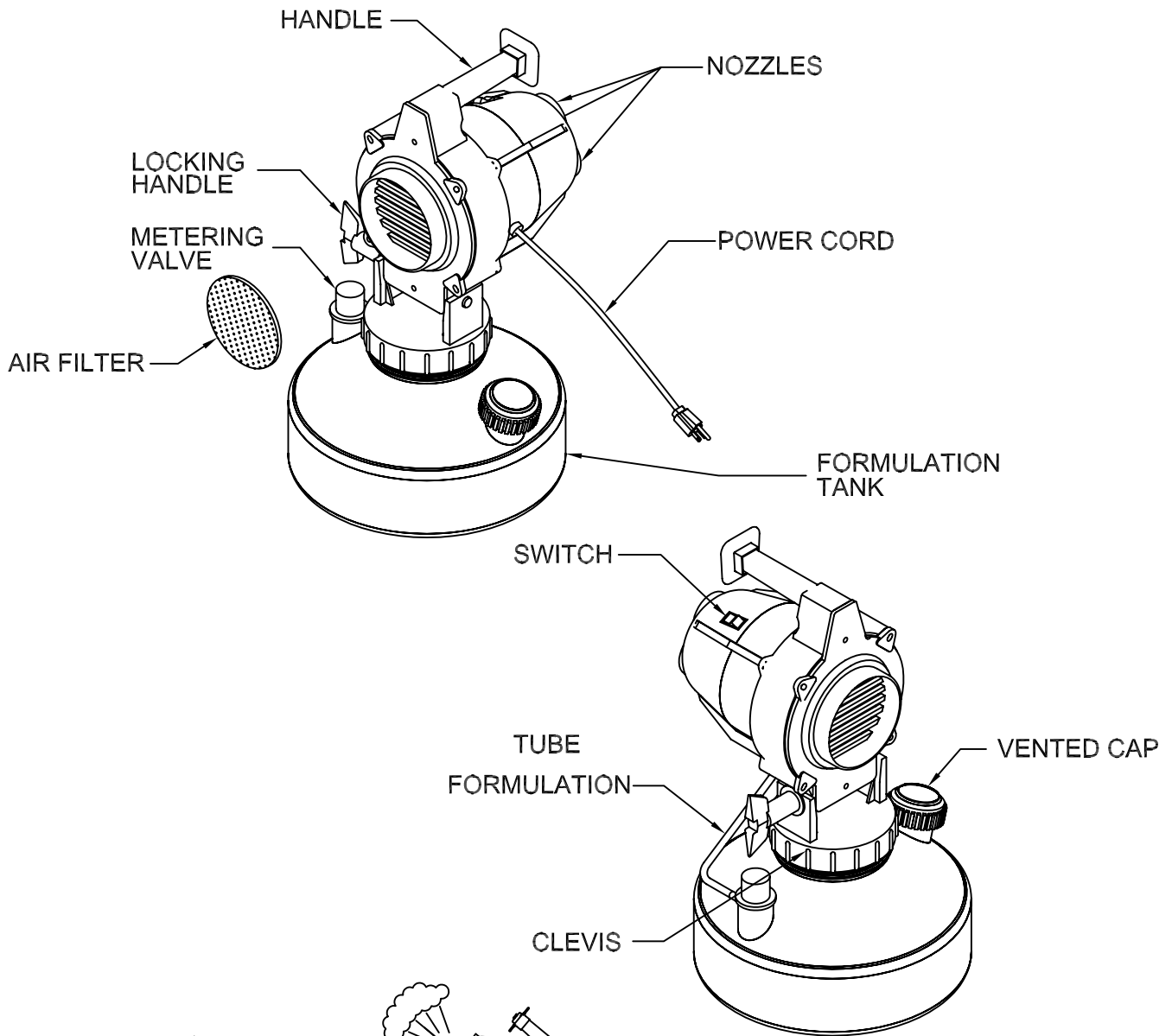


LENGTH	11.25 INCHES	28.58 CM
WIDTH	10.25 INCHES	26.04 CM
HEIGHT	16.25 INCHES	41.28 CM
TANK CAPACITY	1 US GAL	3.8 LITERS
OUTPUT*	0-5 GAL/HR	0-19 L/H
DROPLET THROW**	50 FT	15 M

***Note:** The actual output at any given valve setting will depend upon motor speed. Motor speed will depend upon individual electricity supply which can also vary between geographical locations.

**** Note:** Droplet throw of 50 FT (15 M) is based on the distance achieved by the droplets in still air, in a closed building. When used outside the droplets can be carried 300 FT (100 M) in winds up to 10 mph (16 km/h). When used in buildings with established air flow (i.e. circulating fans) the droplets will be carried the distances dictated by air flow.

MAJOR COMPONENTS



NOZZLES DIRECTION

The machine allows adjusting the angle in a 60° range, up to 40° above horizontal, and -20° below horizontal. Use the Locking Handle to adjust the angle.

CURTISDYNA-FOG® Ltd.

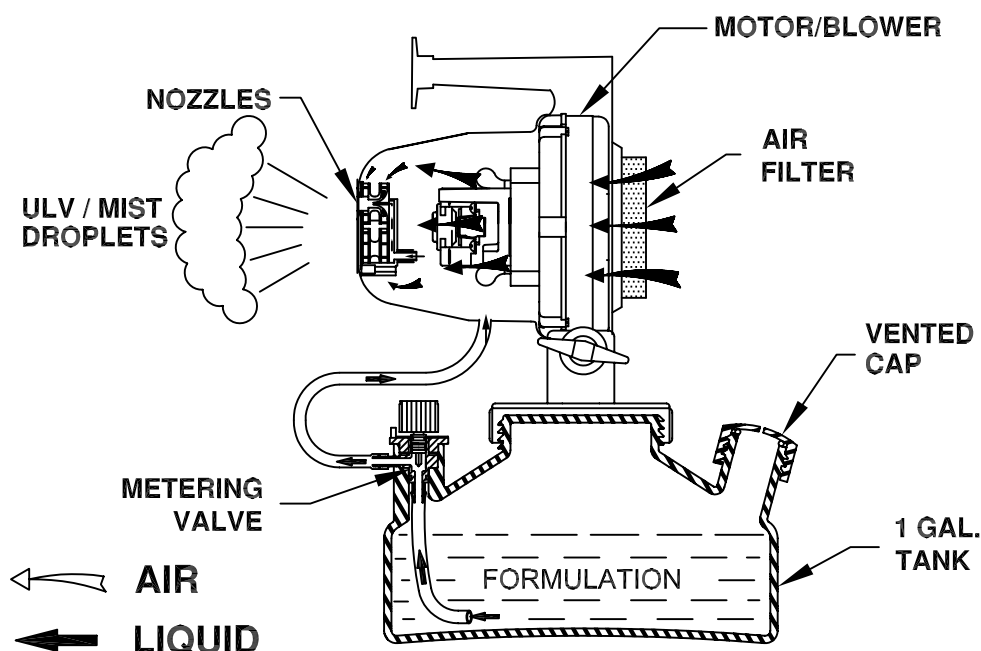
"Innovators of Spraying and Fogging Technology Since 1947"

www.dynafog.com

WORKING PRINCIPLES

The machine consists of a motor/blower assembly, a nozzle system, nozzle housing, a formulation tank and a metering valve. The various components are identified in a diagram below. The blower is a single stage/centrifugal impeller/axial flow driven by a universal motor operating at a speed of about 20,000 RPM. The blower moves a large amount of air through the nozzle system consisting of three individual nozzles, each of which has two sets of directing vanes. One vane set causes the air to be rotated clockwise and the other causes the air to be rotated counterclockwise. The intersection action of the circular forces shears the material being dispensed into small particles. Further, the air rushing by the specially shaped liquid tubes creates a negative pressure in the liquid tube. This negative pressure causes the liquid to be drawn from the formulation tank through the control valve and into the nozzle system where it is pneumatically sheared into aerosol or mist size droplets. After break-up, the droplets are driven away from the machine by the air passing through the nozzle system.

Generally, the size of the output droplets increases with increasing flow rate and with increasing viscosity.



FLUID SYSTEMS DIAGRAM

CURTISDYNA-FOG[®] Ltd.
"Innovators of Spraying and Fogging Technology Since 1947"
www.dynafog.com

SAFETY PRECAUTIONS

WARNING

READ AND UNDERSTAND THESE SAFETY PRECAUTIONS BEFORE OPERATING MACHINE. FAILURE TO PROPERLY FOLLOW THESE PRECAUTIONS MAY LEAD TO A FIRE, EXPOSION OR ELECTRIC SHOCK HAZARD.

1. **ELECTRIC POWER.** This machine uses electrical power at common commercially available voltages. When directly contacted, such voltages are hazardous to human life. All precautions commonly applicable to the use of the electric power general are applicable to the use of this machine. This machine is designed to operate from three wire power systems where one of the wires is a safety ground. Do not disconnect the safety ground or use extension cords or “cheater” plugs to connect this machine to a two-wire system. This defeats the purpose of the safety ground and may result in a hazardous electrical shock condition.

When making repairs on the machine, use an area or work bench that is dry and not electrically conductive. Dry natural wood and plastics are generally non-conductive at the working voltages of this machine. Metals are usually conductive. Do not probe inside the machine.

Extension cords must be properly sized and rated for the voltage, current and length of an individual cord. Consult the nameplate current and voltage rating of your machine and the marked rating of the extension cord. A single extension cord only should be used. When two or more extension cord are placed in series, the rated current carrying capacities of the cords may no longer be valid If an extension cord gets warm to the touch, discontinue its use and obtain a cord with a higher current rate. Improper extension cords are not only hazardous, but may result in poor machine performance due to excessive voltage drop. Finally, since the machine uses oil-based formulation, the extension cord should be rated as oil resistant.

2. **FORMULATIONS.** Many formulations are combustible; that is, they all can be caused to burn. This is true of even high flash point or “no” flash point formulation (fine particle dust in a grain mill has “no” flash point). A combustible liquid vapor can more easily be ignited because it more readily form a uniform mixture with the air which contains the Oxygen needed for combustion. However, fine particles of combustible liquids or solid suspended in the air very closely spaced are capable of propagating flame from one to another once an ignition starts. A good analogy is the grain mill explosion. Although the fine particle dust in a grain mill has “no” flash point, the phenomena of the grain mill explosion is an all too common occurrence.

Where a high flash point or “no” flash point liquid formulation will ignite far less readily than a low flash point liquid and for this reason is strongly advocated. The higher or “no” flash point formulation can ignite if the proper conditions exist. These conditions are basically two: 1. A sufficiently volume of liquid in the form of fine particles suspended in the air; and 2. A sufficiently high energy source of ignition.

3. **AEROSOL CONCENTRATION.** It has been fully established that an acceptable level of liquid in the atmosphere is one gallon per 50,000 cubic feet (2.7 Liter per 1,000 cubic meters). There is a safety margin of at least 5 to 1 in this figure.
4. **AEROSOL IGNITION.** If a combustible atmosphere is established or a combustible deposit is laid down, a source of ignition may cause a fire. Sources of ignition can be gas or oil pilot lights or sparks from electrical controls. Therefore, it is strongly recommended that all such sources be eliminated by extinguishing all pilot lights and turning off all unnecessary electric power. To avoid danger of fire or explosion in an enclosed space, the enclosed volume fogging time and required formulation volume should be carefully calculated.

PROPER AND IMPROPER USE.

The following rules apply to the operation of this machine:

DO

Read the entire manual before operating the machine and pay particular attention to all CAUTIONS and WARNINGS.

Store formulation in its original labeled container.

Use an extension cord which is properly rated for voltage, current and length and which is free from nicks, cracks and other signs of prior abuse. For lengths up to 100 feet (30.5 meters) cord No. 12AWG wire are usually adequate.

Replace damaged or worn electric cord immediately.

Turn the flow valve CLOCKWISE to the OFF position after each spray application while the motor is still operating to allow clearing of the lines. This will also prevent a siphon effect if the unit is ever accidentally knocked over with the valve remaining open.

Always comply with any requirements for protective clothing, goggles, gloves, facial masks or respirator required by the formulation label.

Ensure that formulation are applied only in strict compliance with the formulation label as well as local State and Federal regulations.

DO NOT

Do not Spray flammable liquids near open flame or other source of ignition.

Do not Use a machine that is broken or damaged in any way.

Do not Alter the machine by adding or removing parts.

Do not Restrict the motor blower inlet area.

Do not Tamper with the output nozzle.

Do not Allow the machine to operate unattended.

Do not Apply more than one gallon of formulation per 50,000 cubic feet (2.7 Liters per 1,000 cubic meters) enclosed space. Exceeding this concentration is both hazardous and wasteful.

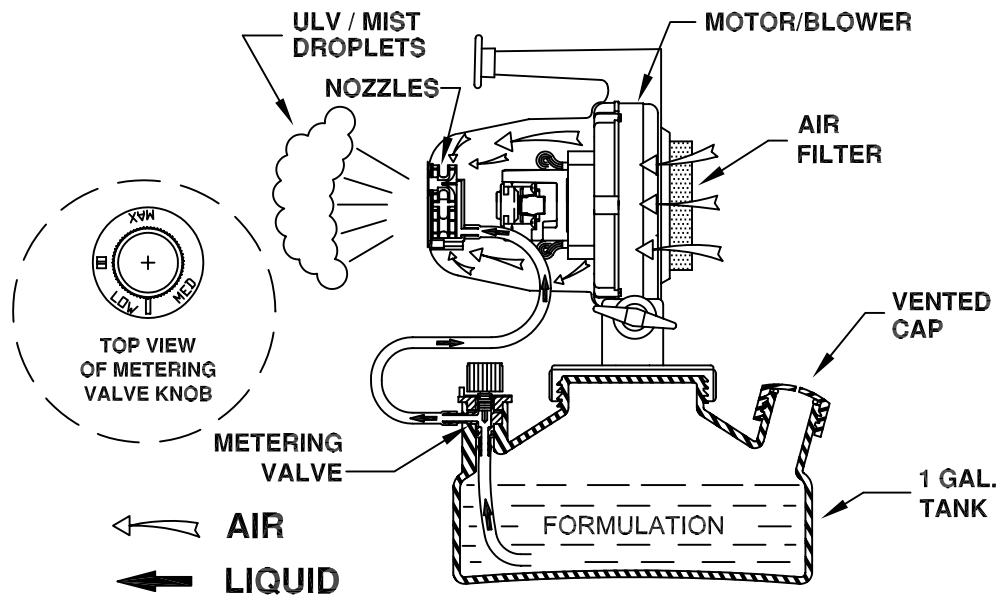
MAINTENANCE

1. Periodically clean the formulation tank using a hot water/detergent solution. Fully open the machine valve and operate the machine for 3 to 5 minutes, flushing the solution through the valve, lines and nozzle.
2. Examine the electrical cord for evidence of damage and replace any damaged cord immediately.
3. After 400-500 hours of operation, carefully remove the blower assembly and examine the brushes and the commutator bars of the blower motor. If brushes show excessive wear or damage, replace the blower assembly (see ITEM #24, page 10).
4. If it becomes necessary to disassemble the Machine Flow Valve for cleaning, be careful not to enlarge the metering orifice or damage the taper of the valve stem, as this will affect the calibration of the machine.
5. Clean the Air Intake Filter after every application. If the filter gets saturated (wet and dripping) while the machine is working, stop the machine and clean the filter.

HURRICANE™ ULTRA - FLOW RATE

Turning the Knob of the Metering Valve regulates the Flow Rate. If the Knob is rotated clockwise, the flow rate will be reduced. If the Knob is rotated counterclockwise, the flow rate will be increased.

As reference, the average flow rate is shown in the bottom table at three different positions of the Metering Valve knob when using water.



METERING VALVE SETTING	HURRICANE™ ULTRA FLOW RATE AND DROPLET SIZE			
	FLOW RATE			DROPLET SIZE
	ML/MIN	L/H	GPH	MICRONS - VOLUME MEDIA DIAMETER
LOW (*)	70	4.2	1.1	14 MICRONS
MED (*)	225	13.5	3.6	20 MICRONS
MAX (*)	330	19.8	5.2	25 MICRONS

CAUTION: Read and follow the instructions on the formulation manufacturer's label and in the operation manual

IMPORTANT: This device is designed to dispense formulations in a SPRAY (Cold Fog) or MIST. Many of the formulations which may be dispensed with this machine require registration with approval by various government agencies.

(*) Note: All flow rate information in the table above is based on spraying water. Thicker viscosity liquids will flow at lower rates than what is shown and produce bigger droplet size. Calibrate flow rate before attempting to spray.

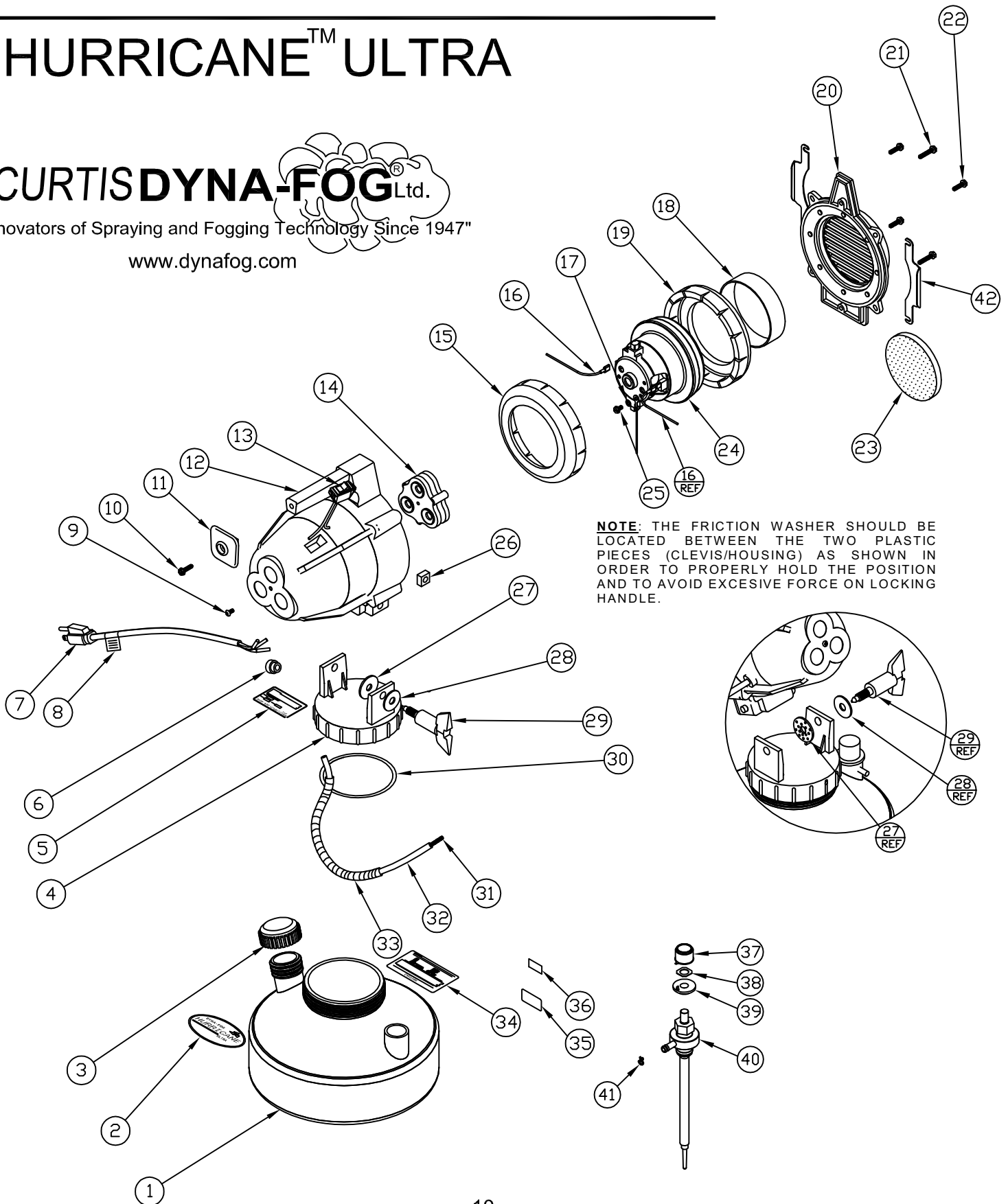


MACHINE PARTS DIAGRAM

HURRICANE™ ULTRA



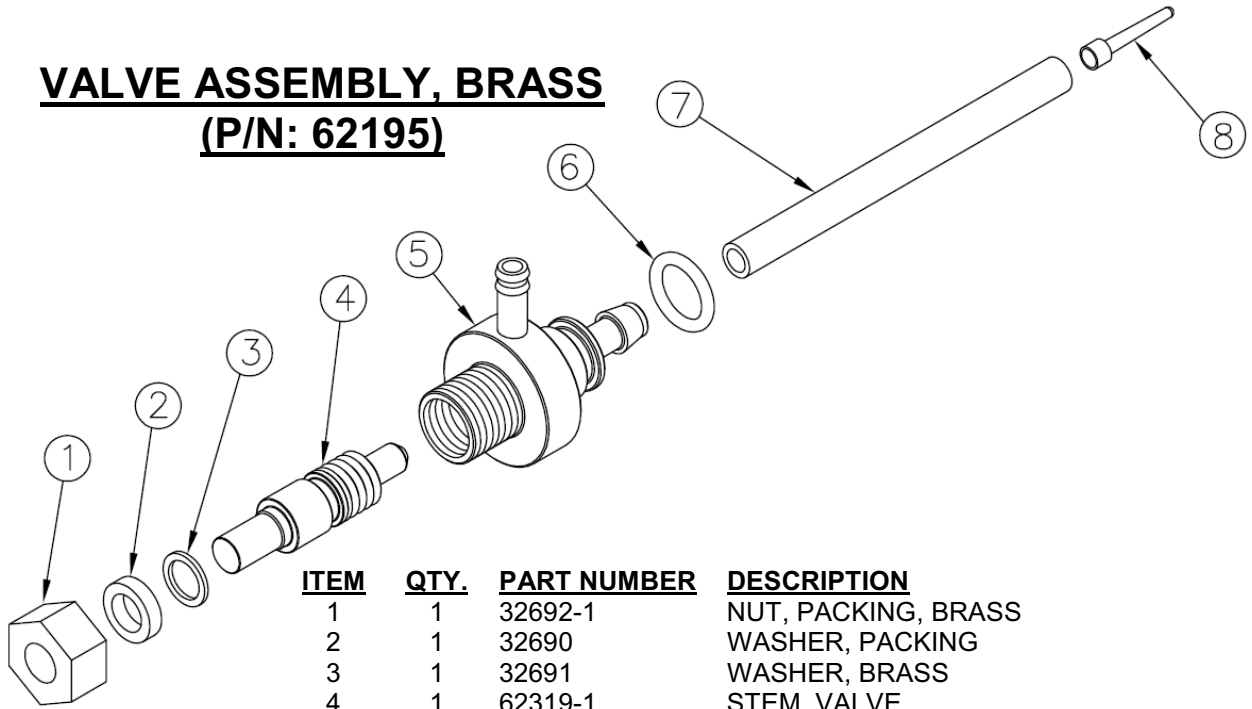
www.dynafog.com



HURRICANE ULTRA PARTS LIST

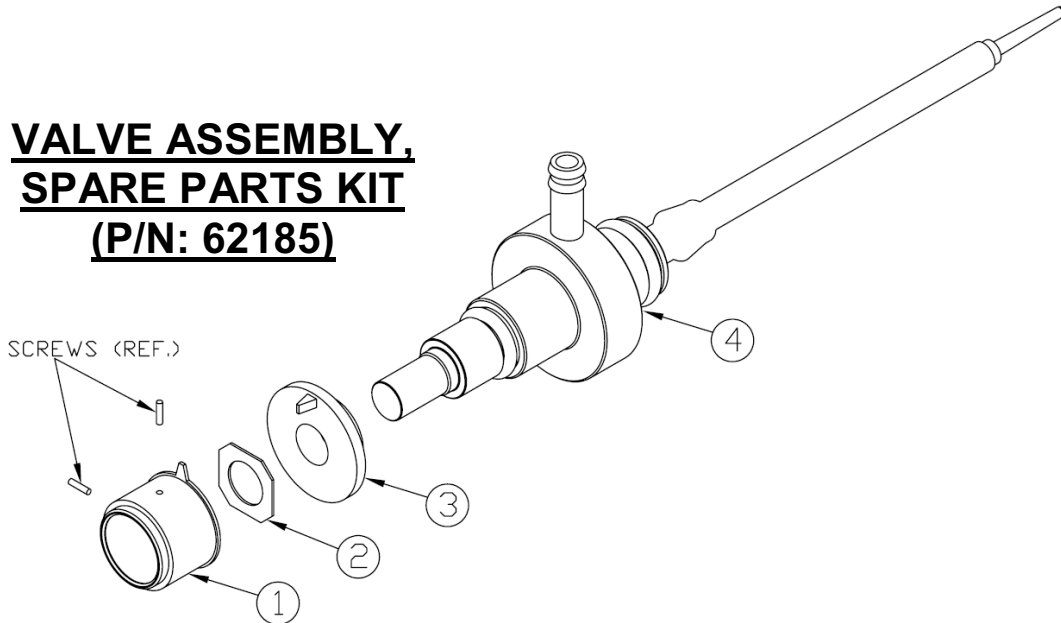
<u>ITEM</u>	<u>QTY</u>	<u>PART NUMBER</u>	<u>ITEM DESCRIPTION</u>
1	1	62130-10	TANK, 1G ROUND
2	1	63156	LABRL, HURR LOGO
3	1	62135-1	CAP AY, TANK BLUE
4	1	62131-1	CLEVIS, BLOWER BLUE
5	1	62151-1	LABEL, HURR (RT) 115V
		62151-2	LABEL, HURR (RT) 230V
6	1	20180-3	STRAIN CONNECTOR (115V)
		20180-4	STRAIN CONNECTOR (203V)
7	1	62031-2	POWER CORD AY, 120V
		62051-1	POWER CORD AY, 220V
8	1	86855	TAG, EXT. CORD INFO
9	1	63261-2	SCREW, #10-24 x 3/4
10	1	62378	SCREW, #10-16 x .75
11	1	62053-54	HAND STOP, BLUE
12	1	62001-54	HOUSING, DRILLED, BLUE
13	1	62006-1	SWITCH, PADDLE
14	1	62045-54	NOZZLE, AY BLUE
15	1	62366	GASKET,FOAM,DIE CUT (.187 THK.)
16	2	62471-1	WIRE AY, MOTOR
17	1	138530	WASHER,LOCK,#8,INTO
18	1	62144-1	SPACER, PVC, MOTOR, (HURRICANE)
19	1	62366-1	GASKET,FOAM,DIE CUT (.375 THK.)
20	1	62027	COVER, MOTOR
21	2	62160	SCREW, #10-16 X 1.25
22	4	62161	SCREW, #10-16 X .75
23	1	62124	FILTER, AIR 3.875 DIA.
24	1	62147-1	MOTOR, BLOWER AY.120V (930W) PANASONIC
		62147-3	REPLACEMENT BRUSH KIT (110V)
	1	62147-2	MOTOR, BLOWER AY, 240V (950W), PANASONIC
		62147-4	REPLACEMENT BRUSH KIT (220V)
25	1	9425089	SCREW,#8-32X3/8,HEX, SLOTTED TYPE "F" TAP
26	1	62367	NUT, 3/8 – 16 SQ.
27	1	62083	WASHER, FRICTION
28	1	62128	WASHER, LOCKING HANDLE
29	1	62010-54	LOCKING HANDLE
30	1	10000-343	O-RING
31	1	74312-3	SPRING, ANCRIMP, 7.0
32	1	62054-1	TUBE, GRES, .312
33	1	62017-1	GUARD, TUBE
34	1	62151-1	LABEL,ID, HURRICANE ULTRA 115 VOLTS
	1	62151-2	LABEL, ID, HURRICANE ULTRA, 220 VOLTS
35	1	62057	LABEL, YELLOW WARNING
36	1	63409	LABEL, USA
37	1	64956	KNOB AY., FORMULATION VLV
38	1	39090	RETAINER, SQUARE WASHER
39	1	62134-1	VALVE INDICATOR, METERING
40	1	62195-1	VALVE AY., BRASS
41	4	80296-4	CLAMP, HOSE, DOUBLE WIRE
42	2	62233	BRACKET, SUPPORT, REAR HOUSING

VALVE ASSEMBLY, BRASS
(P/N: 62195)



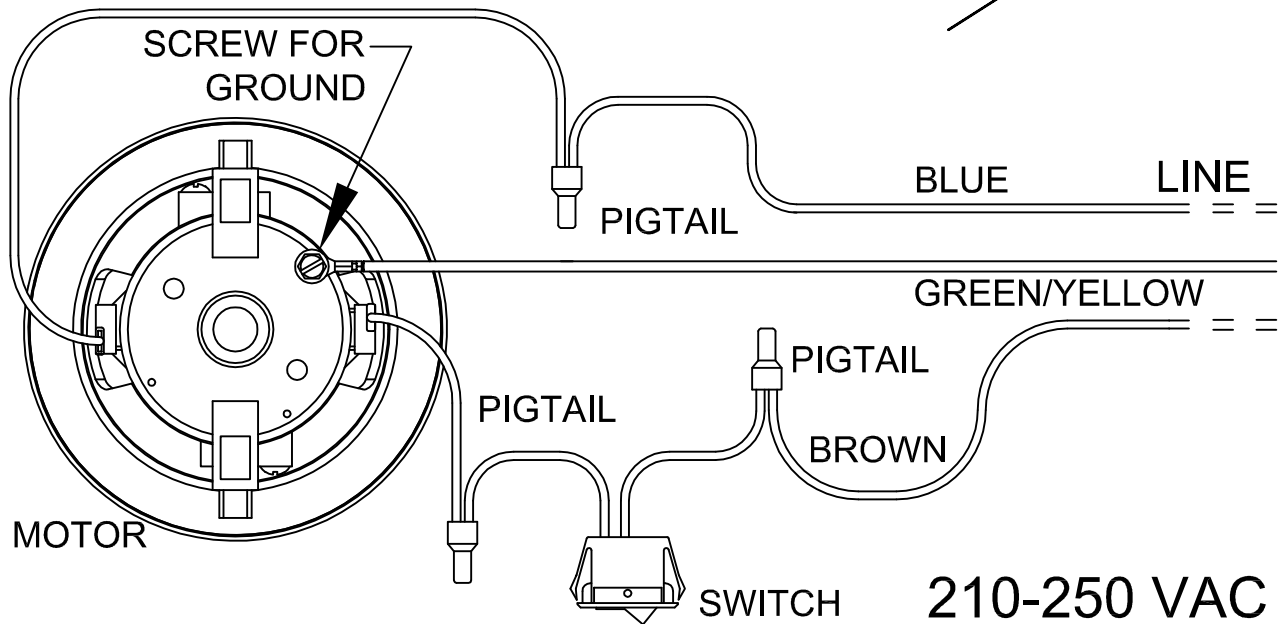
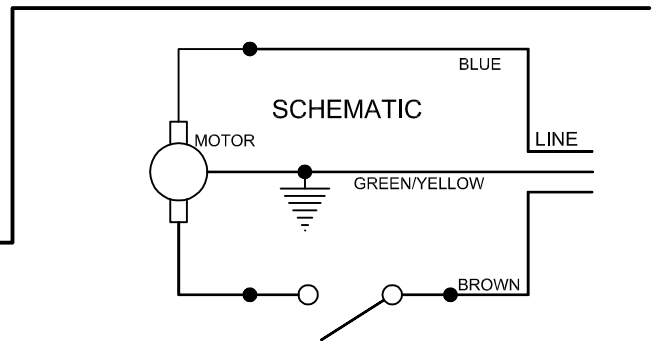
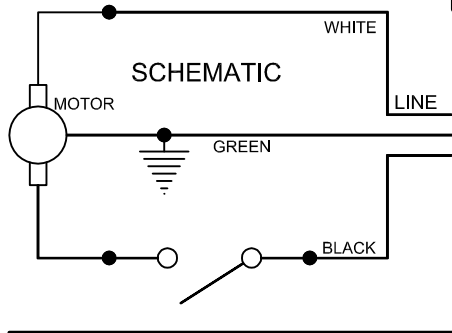
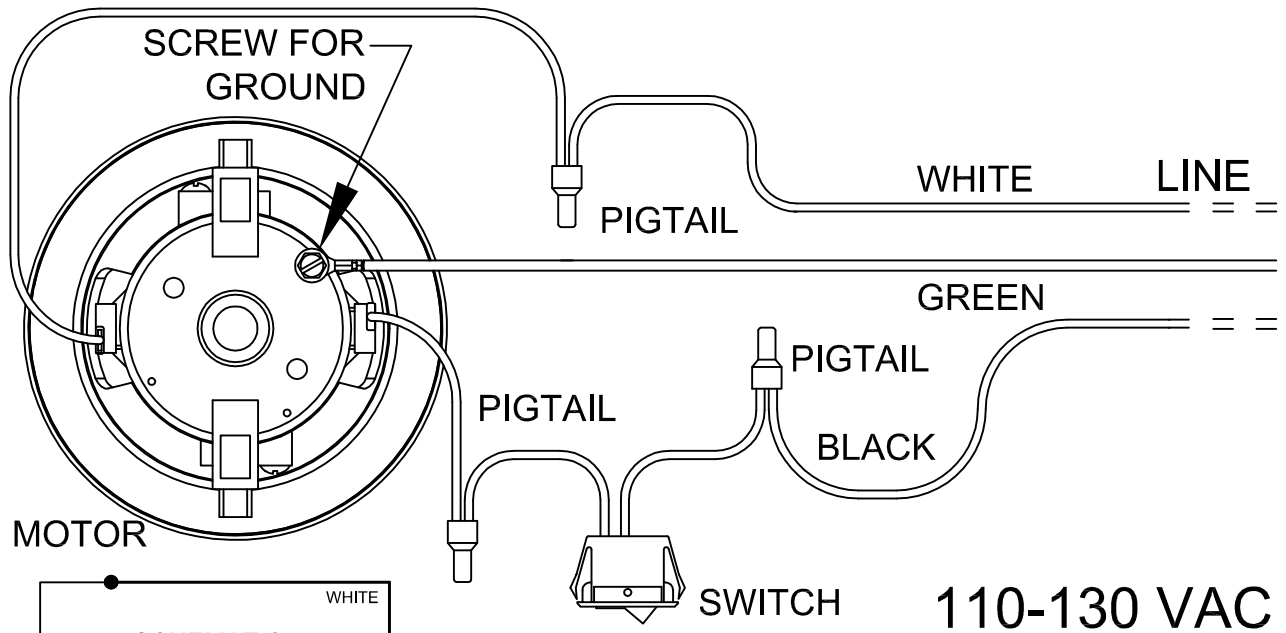
<u>ITEM</u>	<u>QTY.</u>	<u>PART NUMBER</u>	<u>DESCRIPTION</u>
1	1	32692-1	NUT, PACKING, BRASS
2	1	32690	WASHER, PACKING
3	1	32691	WASHER, BRASS
4	1	62319-1	STEM, VALVE
5	1	62180	VALVE BODY/BARB AY.
6	1	10100-110	O-RING
7	1	62227-1	TUBE, BLUE, 3/16 ID. X 5.16 OD.
8	1	80408	FILTER, LONG TAPER, 130 MICRONS

VALVE ASSEMBLY,
SPARE PARTS KIT
(P/N: 62185)




<u>ITEM</u>	<u>QTY</u>	<u>PART NUMBER</u>	<u>ITEM DESCRIPTION</u>
1	1	64956-2	KNOB ASSEMBLY
2	1	39090	RETAINER, SQUARE WASHER
3	1	62134-1	VALVE INDICATOR, METERING
4	1	62195	VALVE AY., BRASS (WITH FILTER)

ELECTRICAL SCHEMATICS



NOISE LEVEL COMPARISON

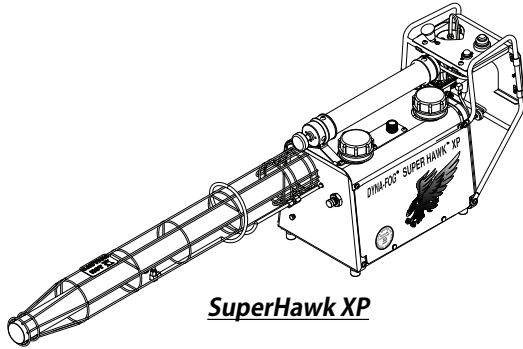
		TYPICAL SOUND	TYPICAL MUSIC	SPL, Db
		Chest wall vibrates, chiking, giddiness		150
		Jet taking off, 25 meters		140
		Threshold of pain		
		Artillery, 100 yards	Cannon (peaks)	130
		Pneumatic chipper		
		Riveter, nearby		120
		Loud car horn, nearby	Very loud rock (peaks)	
			Very loud classical (peaks)	110
Pain Threshold	—	Inside N.Y. subway	Very loud classical (avg.)	100
			Loud classical music	
		Heavy truck		90
Hearing Protection Recommended	—	Inside motor bus	Moderately loud classical	
		Noisy traffic, corner		80
		Noisy office	Soft popular music	
				70
		Business office	Soft classical music	
		Conversational Speech		60
		Private office	Very soft music	
		Background noise, city home		50
				40
		Background noise, suburb		
		Library		30
		Background, country night		
		Whisper, leaves rustling		20
		Good recording studio		
				10
		Threshold of hearing		0



Hurricane

The Hurricane hand held electric aerosol applicator is a relatively quiet machine, as shown in above comparison.

Dyna-Fog Offers a Complete Assortment of Sprayers and Foggers



SuperHawk XP

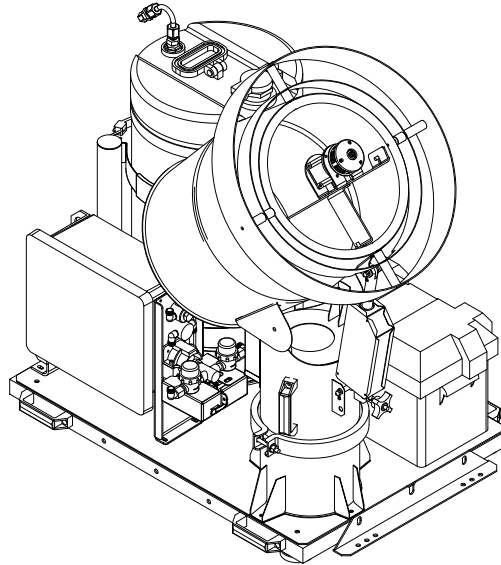
PULSE-JET POWERED THERMAL FOGGERS:

From 0-120 GPH (0-453 LPH) output. Our complete line include different models like the Superhawk, Golden Eagle, Trailblazer, Falcon, Patriot, Blackhawk, Mister III, SilverCloud and Model 1200. Portable or Truck mounted machines. Different models are available for Oil base or Water base formulations.

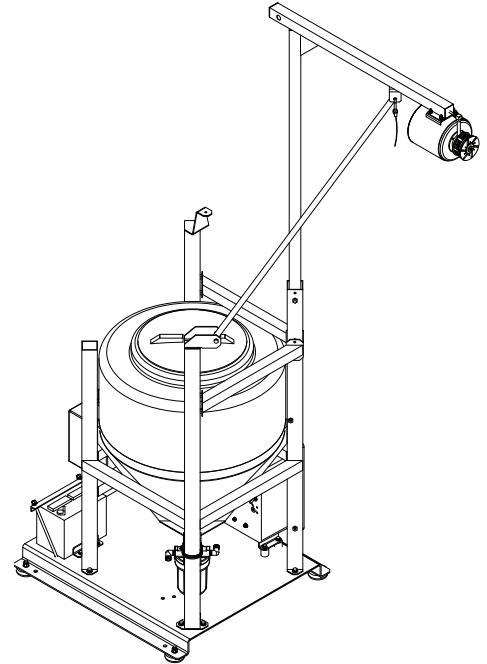
ELECTRIC ROTARY ATOMIZERS:

DYNA-JET L30: State-of-the-Art, Electric Rotary Atomizer ULV Aerosol Generator. 12 VDC, Light Weight, Truck mounted Machine with FMI pump. Optional Syncroflow Available.

DYNA-JET L15: Drift Sprayer for migratory pest control like Locust. Flow Rate from 0 to 2 L/ min. Optional Radar Syncroflow.



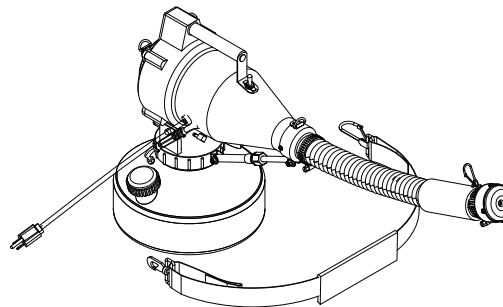
Dyna-Jet L-30



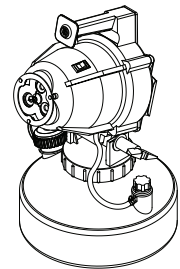
Dyna-Jet L-15

ELECTRIC HAND-HELD ULV/MIST GENERATORS:

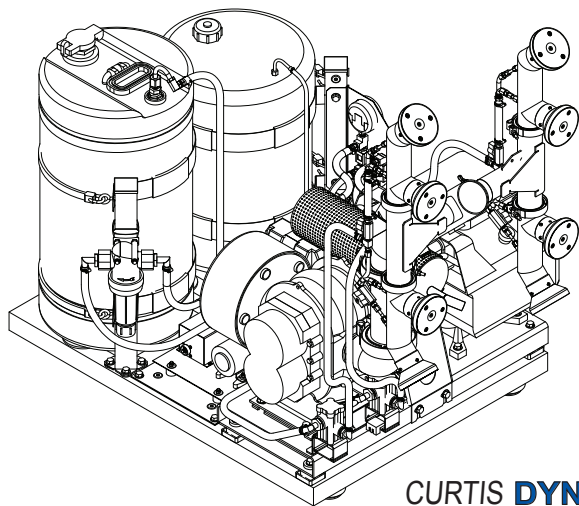
A Full line of electric cold fog applicators with 1-3 gallon tanks, available in 115 and 230 VAC.



Cyclone Ultra-Flex



Hurricane ES



LV-8

COMBUSTION ENGINE DRIVEN ULV AEROSOL GENERATORS:

Truck mounted Units powered by 8, 9, 11, 18 and 20 HP four cycle, OHV Gasoline Engines. Diesel versions also available. One, two, four and eight nozzle configurations. Patented full remote control of boom functions (rotation of turntable and angle of nozzles) available on certain models. Your choice of Gear, Piston or Diaphragm pumping system. Pressurized system versions available for specific international markets. Optional Automatic flow control "Syncroflow" also available with Radar or GPS speed sensing. 25 cc and 40 cc two cycle portable models are also available.

CURTIS DYNA-FOG Ltd.
 "Innovators of Spraying and Fogging Technology Since 1947"

Contact Us For Your Nearest Distributor:
 Ph: +1.317.896.2561
 email: info@dynafog.com
 web: www.dynafog.com

17335 US. Highway 31 North
 Westfield, IN 46074, USA